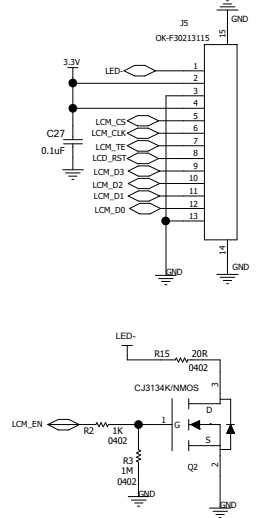
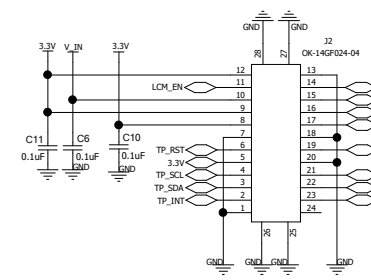


串口电路

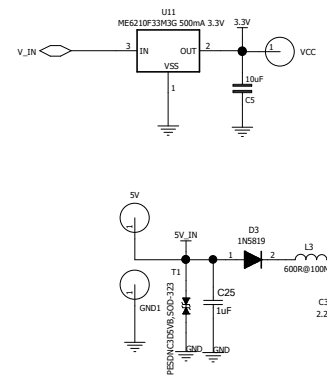
QSPI_1.30



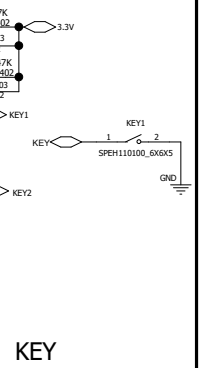
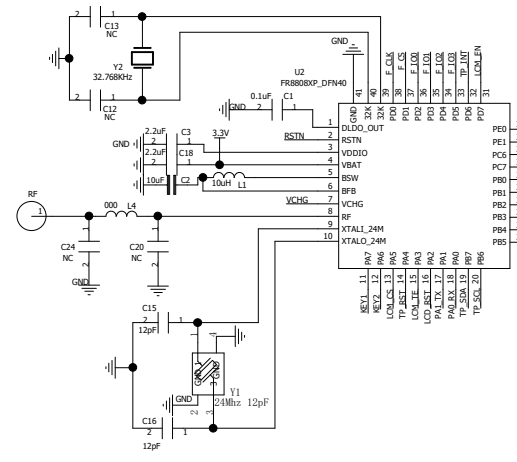
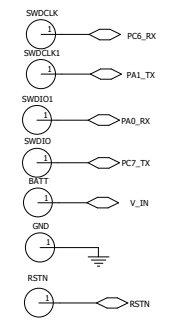
AMOLED_QSPI 1.43



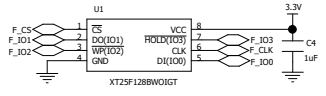
Dc-Dc 3.3V/0.5A



MCU 蓝牙/2.4G



KEY



存储预留电路

ZQXN50143_AM143 V2.0			
FR2280			
File	Document Number		Rev 1
C			
Date:	2023.03.13	Sheet	1 of 1