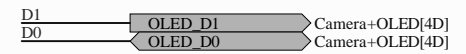
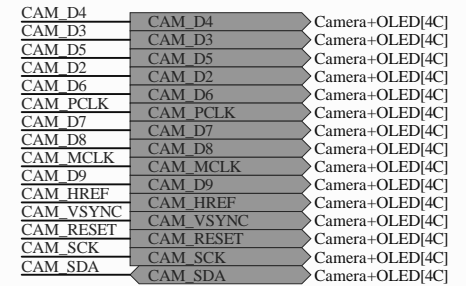
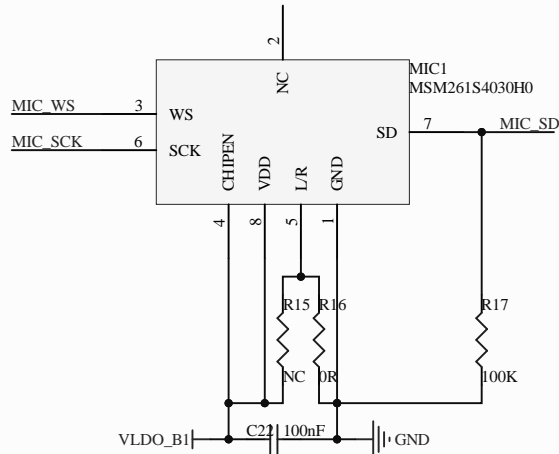
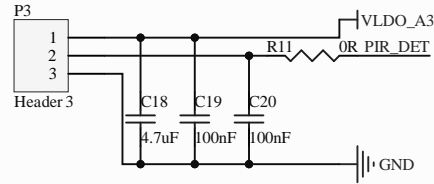
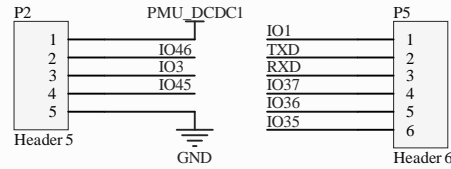
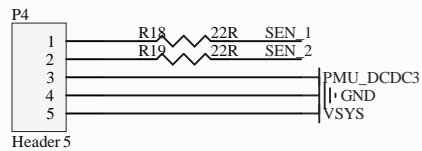
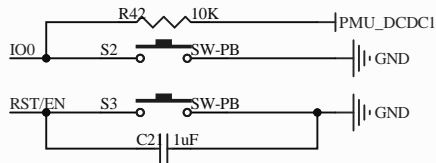
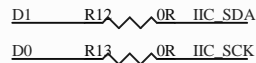
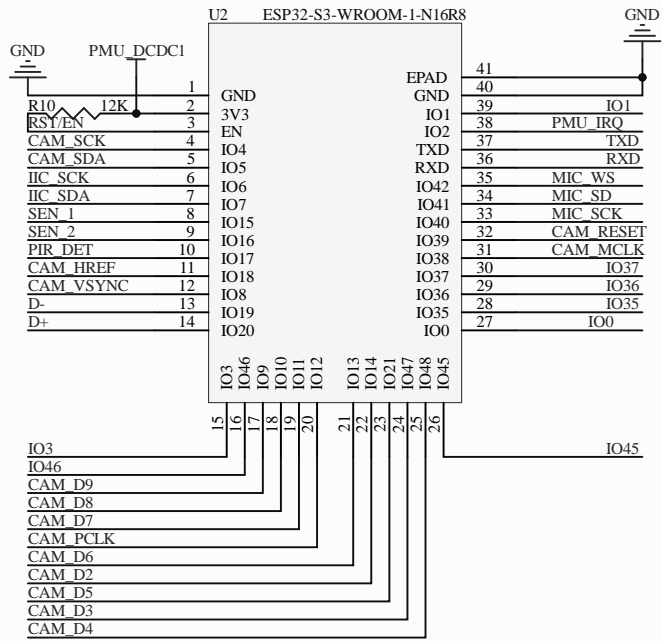
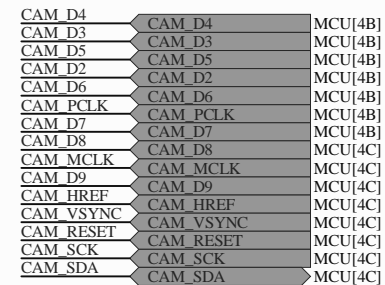
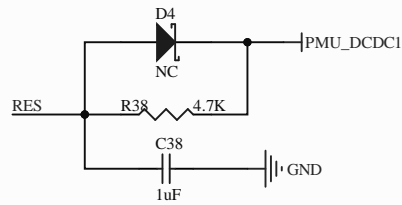
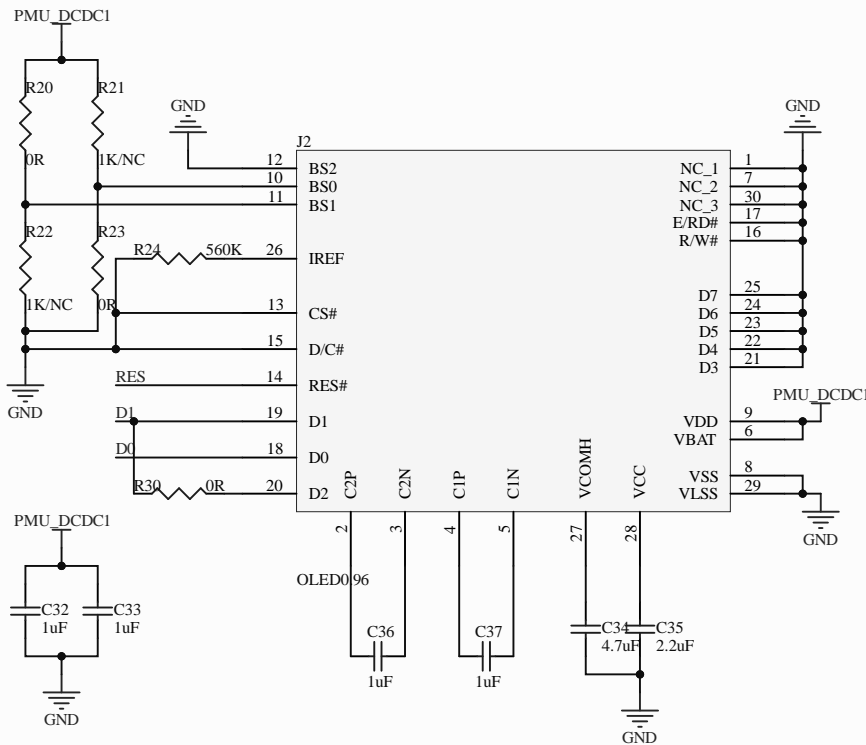
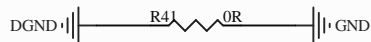
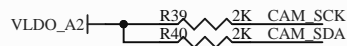
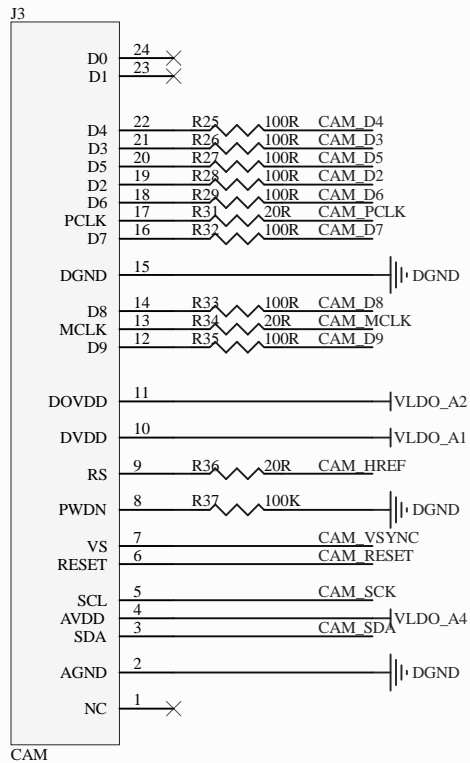
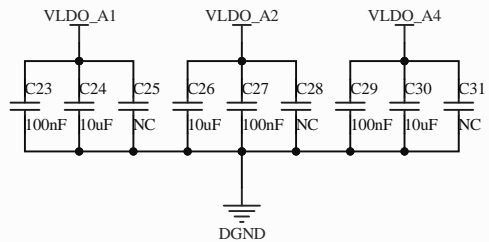


Title			PCB_PMU_LILYGO		
Size	Number		Revision		
A4			V1.6		
Date:	2/10/2023		Sheet of 1/3		
File:	D:\LilyGo\...\POWER.SchDoc		Drawn By:		



Title		
PCB_SOC_LILYGO		
Size	Number	Revision
A4		V1.6
Date:	2/10/2023	Sheet of 2/3
File:	D:\LilyGo\...\MCU.SchDoc	Drawn By:



Title		
PCB_CAM_OLED_LILYGO		
Size	Number	Revision
A4		V1.6
Date:	2/10/2023	Sheet of 3/3
File:	D:\LilyGo\...\Camera+OLED.SchDoc	Drawn By: