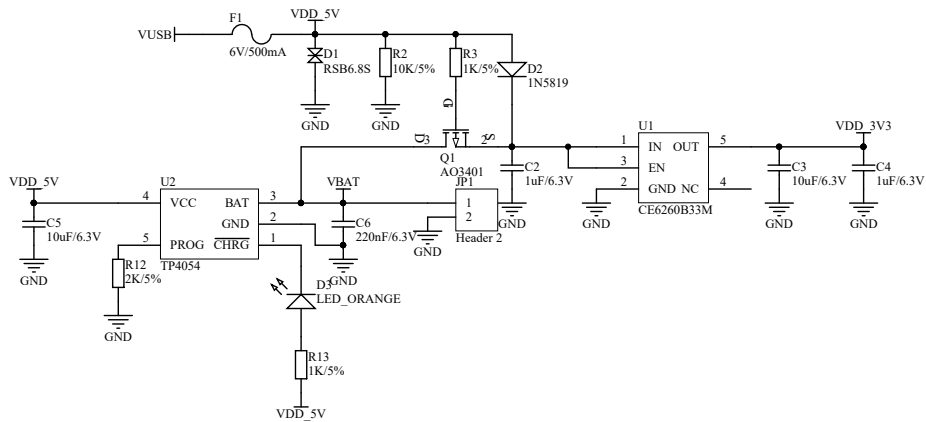
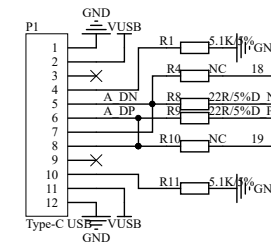


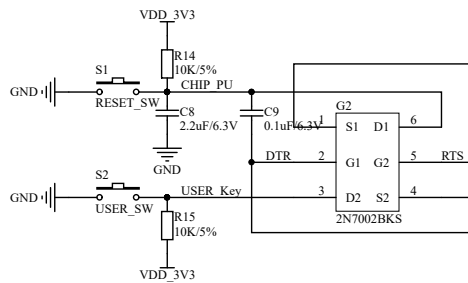
Power



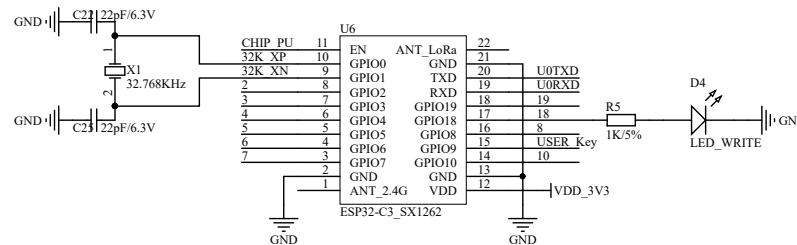
Type-C USB



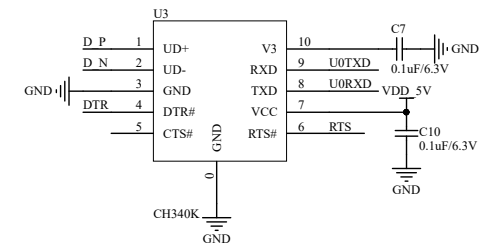
Auto-Boot



MCU



USB to Serial(Optional)



Header

